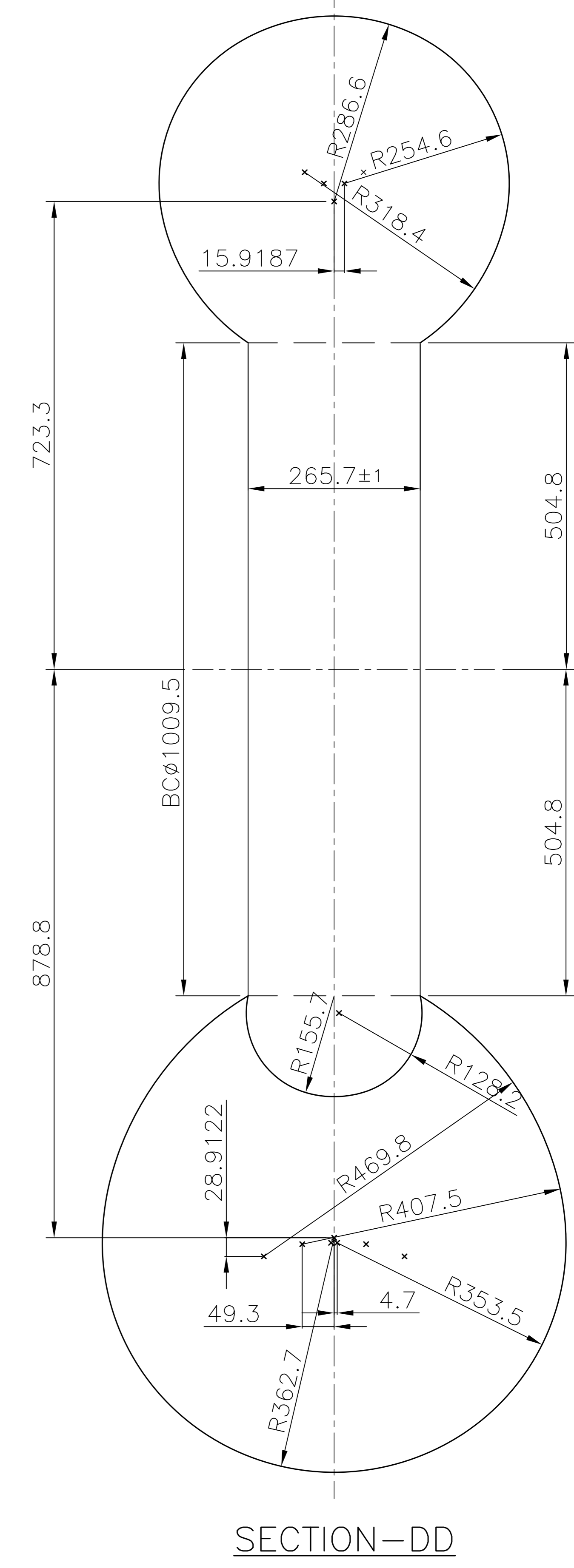
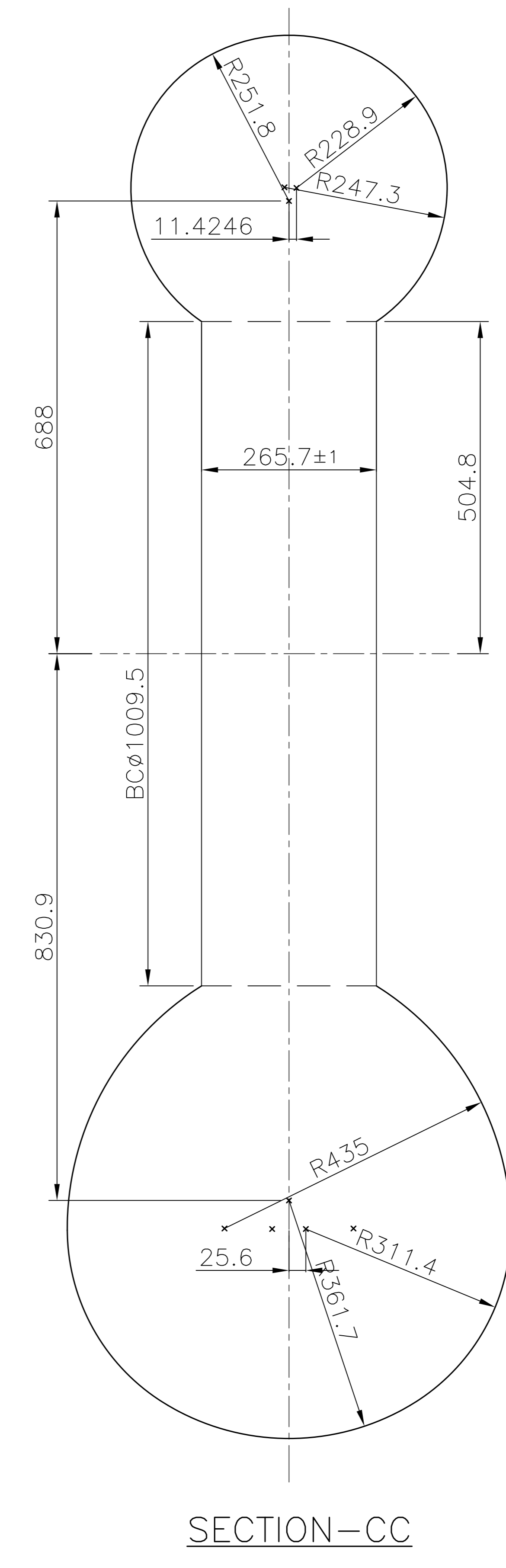
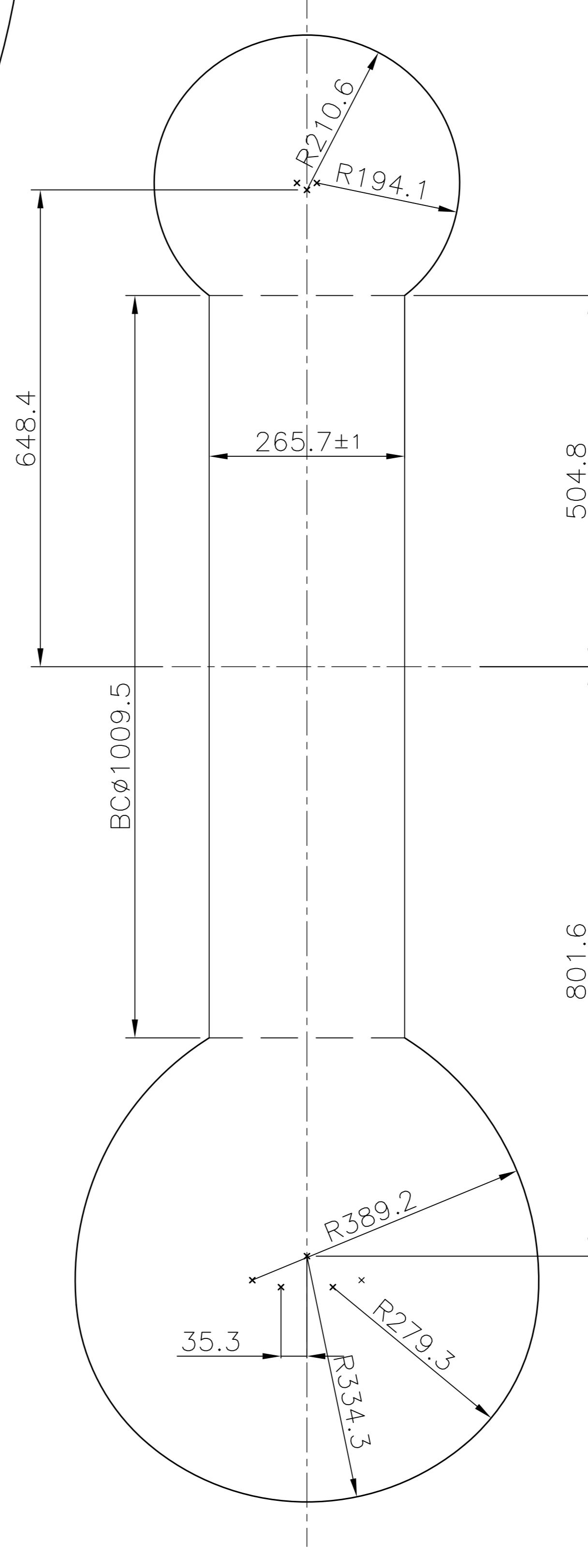
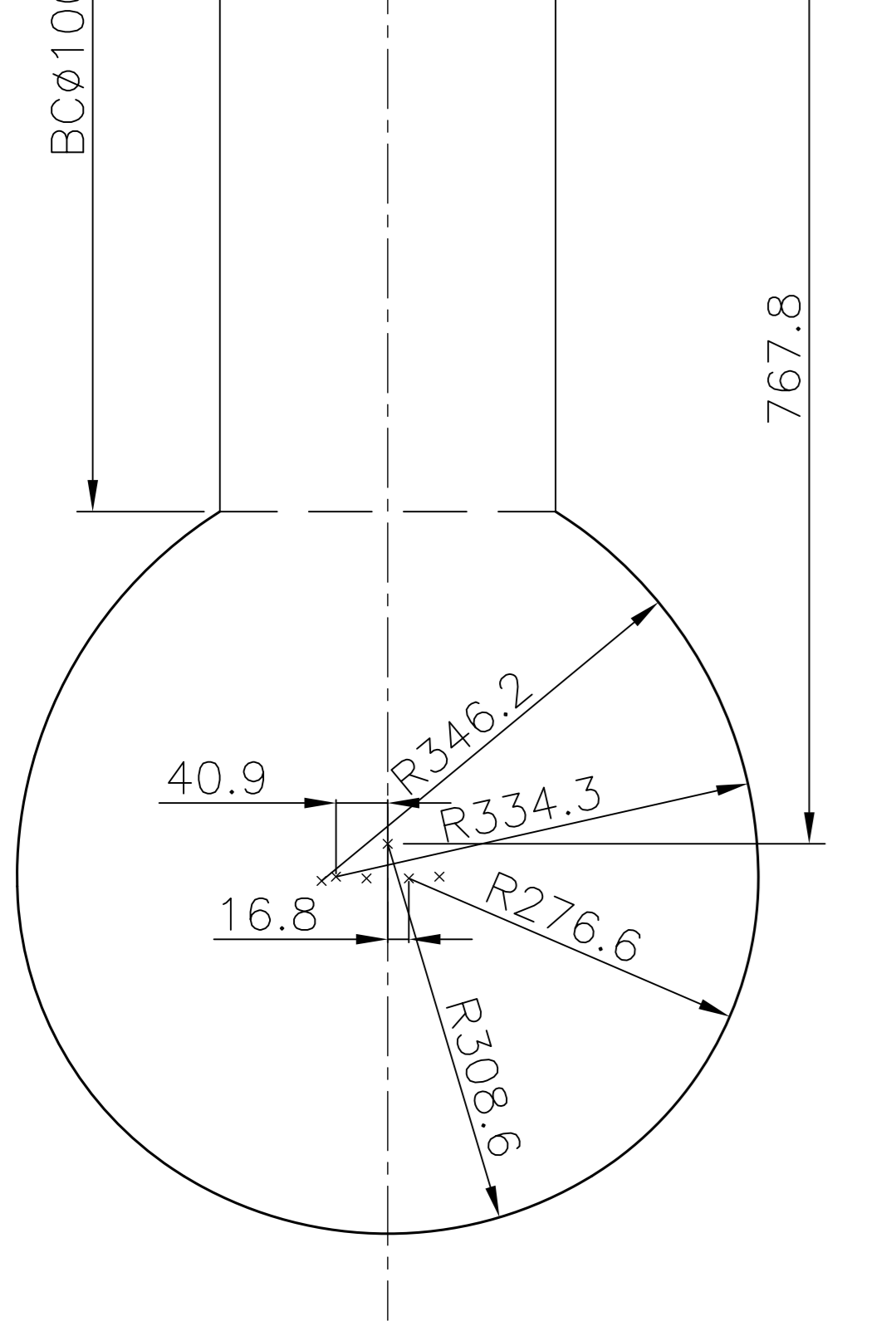
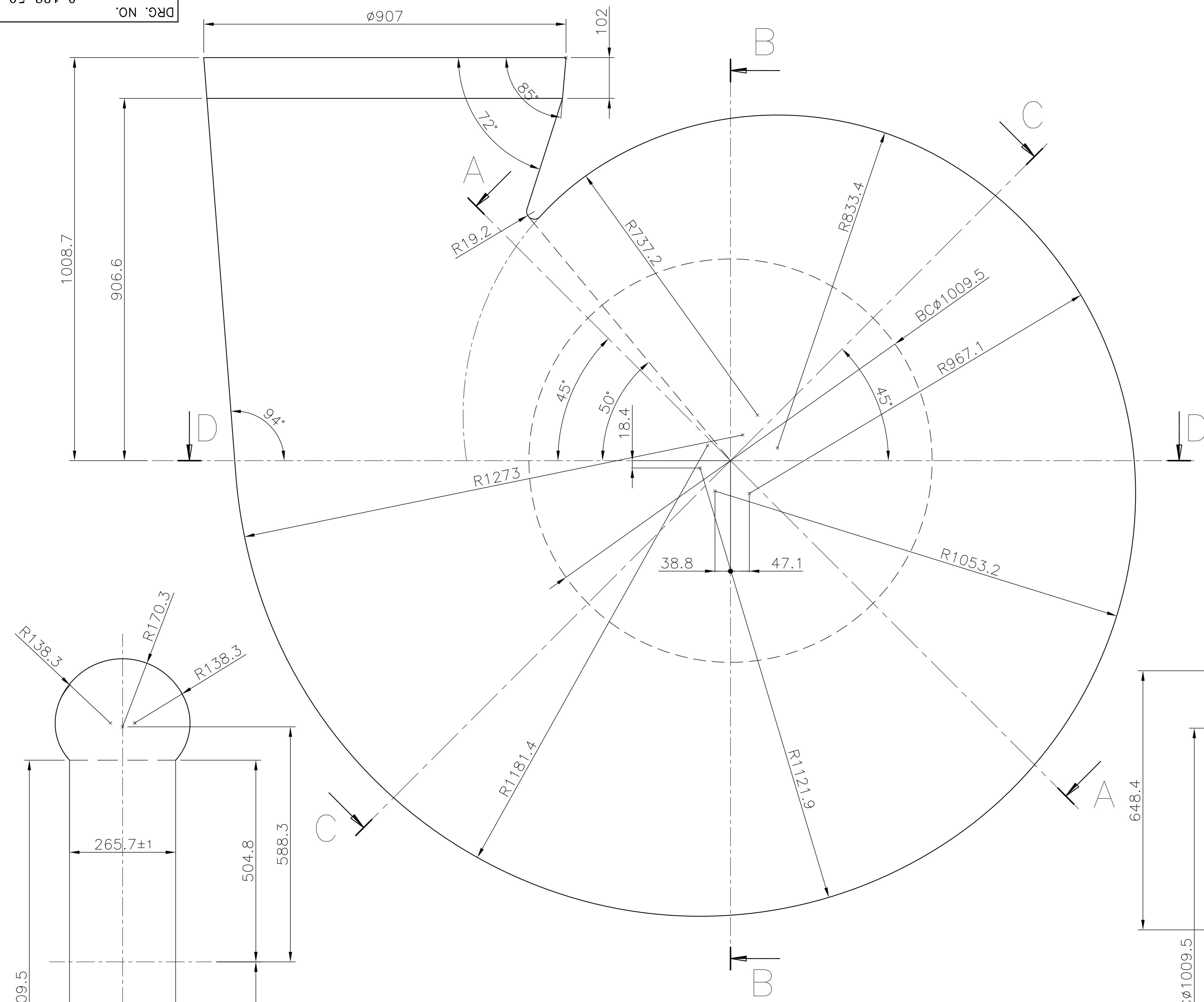


DRG. NO. 0 183 50 2 0027

THE INFORMATION ON THIS DOCUMENT IS THE PROPERTY OF BHARAT HEAVY ELECTRICALS LIMITED. IT MUST NOT BE USED DIRECTLY OR INDIRECTLY IN ANY WAY DETRIMENTAL TO THE INTEREST OF THE COMPANY



REV.	DATE	ALTERED CHECKED	APPD.	REV.	DATE	ALTERED CHECKED	APPD.	REV.	DATE	ALTERED CHECKED	APPD.	REV.	DATE	ALTERED CHECKED	APPD.	REV.	DATE	ALTERED CHECKED	APPD.	

01					FP9750717015	
					FP50717	01
ITEM NO.	DESCRIPTION	DRAWING NO.	VAR. NO.	RAW MATERIAL SIZE OR CASTING DRG.NO. OR FORGING DRG.NO.	MATERIAL CODE	NET WT. GROSS WT. QUANTITY

THE FOLLOWING CONDITIONS APPLY EXCEPT OTHERWISE STATED...
 1. REF. TO HY0230261 FOR UNSPECIFIED TOLERANCES.
 2. CHAMFER M/CD SHARP EDGES 1.2 TO 1.0 AT 45°.
 3. INTERNAL M/CD CORNER RADII 1 TO 0.7.
 4. THE SURFACE ROUGHNESS WHEREVER NOT SHOWN SHALL BE TAKEN FROM THE SURFACE ROUGHNESS SHOWN OUT SIDE BACK SLASHES GIVEN AT THE TOP MOST RIGHT CORNER OF THE DRG.

TYPE OF PRODUCT VOLUTE CASING
 OR NAME OF CUSTOMER/PROJECT

DRN.	NAME	SIGN.	DATE	NO. OF VAR.
KVSM		-sd-	15.03.21	
CHD.	ASK	-sd-	15.03.21	
APPD.	MSR	-sd-	15.03.21	

DEPT. PUMPS
 CODE 410

SCALE N.T.S
 WEIGHT (KG)
 REF. TO ASSY DRG. -NA-
 ITEM NO. -NA-
 NO. OF ITEMS -NA-

TITLE CASING HYDRAULIC PROFILE
 DRAWING NO. 0 183 50 2 0027
 SHEET NO. NO OF SHEETS 00